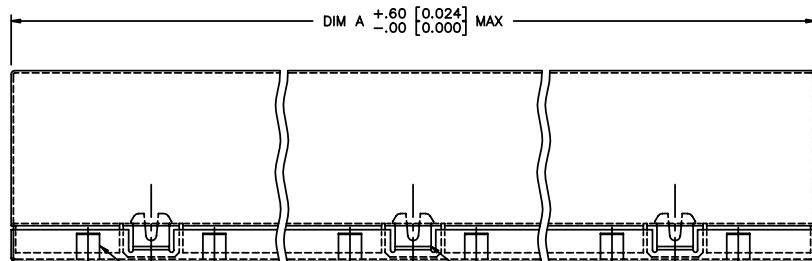
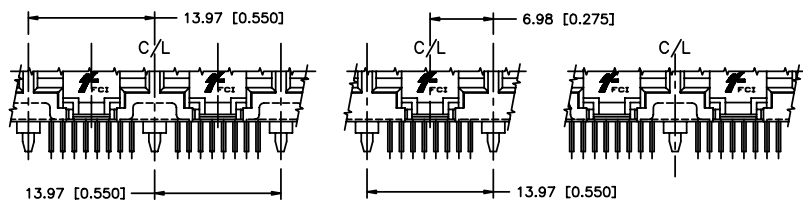
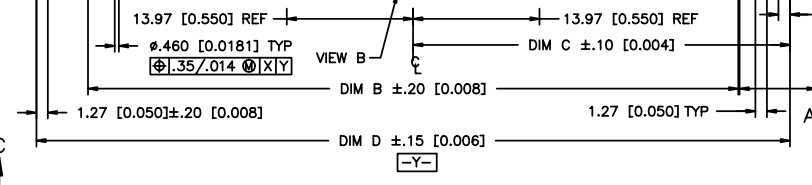
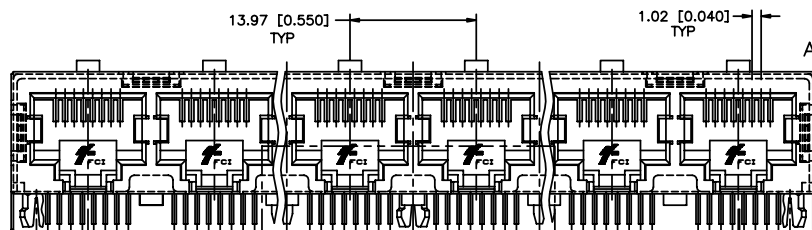


PRODUCT NO.  
SEE TABLE



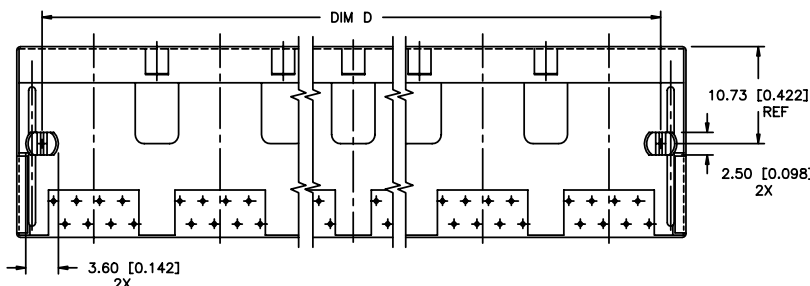
GROUNDING TAB  
SEE SHEET 6 FOR  
LOCATING CONFIGURATION

LATCHING MECHANISM



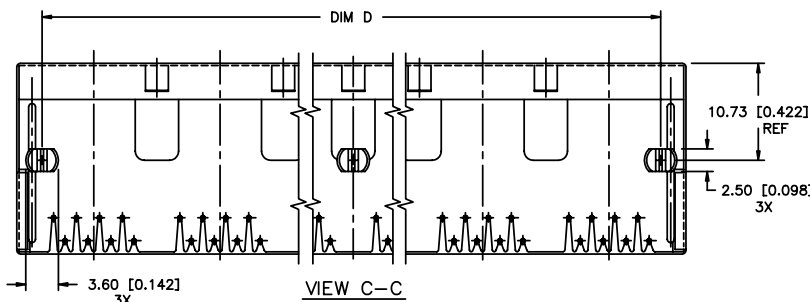
FOR PORT NO. 4,6,8,10,12      FOR PORT NO. 3,5,7,9,11      FOR 2-PORT

VIEW B  
(CENTER PEG OMITTED FOR CLARITY,  
-XXXM, -XXXMLF PRODUCT ONLY)



VIEW C-C

-XXXNLF PRODUCT ONLY (WITHOUT CENTER PEG - SEE NOTE 8)



VIEW C-C

-XXXM, -XXXMLF PRODUCT ONLY (WITH CENTER PEG - SEE NOTE 7)

- 1.27 [0.050] -X02M THRU -X12M & -X02NLF THRU -X12NLF
- 2.79 [0.110]±.20 [0.008] -X02MLF THRU -X12MLF
- X01M, -X01AM, -X01NLF & -X01ANLF
- X01MLF, -X01AMLF
- X02M THRU -X12M & -X02NLF THRU -X12NLF
- 8.51 [0.335]-X02MLF THRU -X12MLF
- 7.87 [0.310] -X01M, -X01AM, -X01NLF & -X01ANLF
- X01MLF, -X01AMLF

Tous droits strictement reserves. Reproduction ou communication a des tiers interdite sous quelque forme que ce soit sans autorisation écrite du propriétaire. Propriete de c FCI. Droits de reproduction FCI.



All rights strictly reserved. Reproduction or issue to third parties in any form whatever is not permitted without written authority from the proprietor. Property of FCI. Copyright FCI.

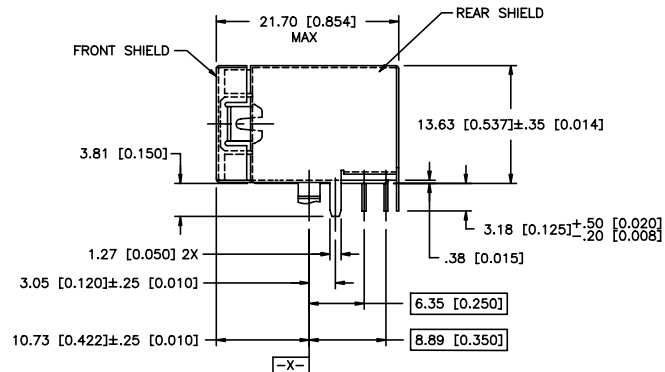
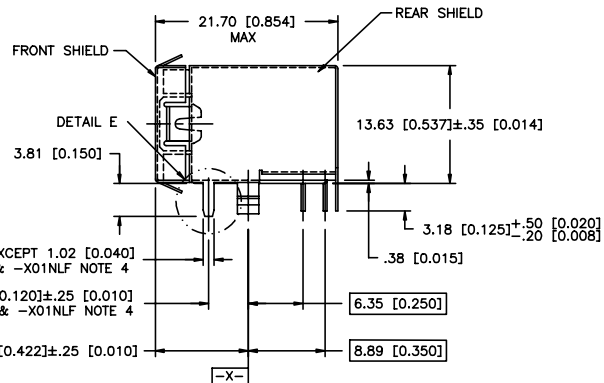
mat'l. code				tolerances unless otherwise specified				CUSTOMER COPY		FCI www.fciconnect.com	
ltr	ecn no	dr	date	linear	.X±.3/.XX ±.01			projection	title		
S	N08-0001	SH	1/3/07		.XX±.13/.XXX ±.005				R/A 8 POS GANG JACK ASSY SHIELDED, SNAP PEG		
T	N08-0100	SH	09/25/08	angles	.XXX±.051/.XXX ±.0020			MM/INCH	product family		code
L	T00315	CSP	11/9/00		0° ±2'				MOD JACK		-
M	V21065	LP	8/23/02	dr	KCHOU	3/18/93		scale	size		dwg no
N	T03-0059	GARY	02/18/03	enrg	TC	3/18/93			1:1	A	
P	T03-0106	GARY	03/31/03	chr	JTSAO	3/18/93				sheet	
R	M05-0067	MHT	4/8/05	appd	JTSAO	3/18/93				1 of 6	
sheet	revision	R	R	R	R	R	R				
index	sheet	1	1	3	4	5	6				

PRODUCT NO  
SEE TABLE

Tous droits strictement reserves. Reproduction ou communication a des tiers interdite sous quelque forme que ce soit sans autorisation écrite du propriétaire. Propriete de c FCI. Droits de reproduction FCI.



All rights strictly reserved. Reproduction or issue to third parties in any form whatever is not permitted without written authority from the proprietor. Property of FCI. Copyright FCI.

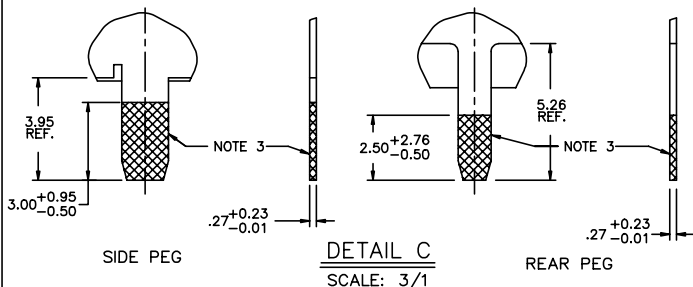
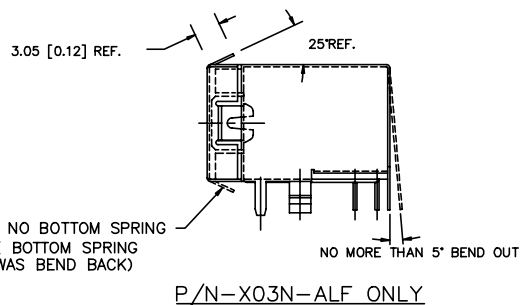


VIEW A-A

NOTE 5

NOTES:

- RECOMMENDED P.C.B. THICKNESS 1.60 [0.063].
- CONTACTS: PHOS BRONZE ALLOY UNS-C51000,  $\phi$  0.460 [0.0181] ROUND WIRE, PLATING SEE TABLE.
- SHIELDING MAT'L: .25 [0.010] THICK BRASS ALLOY.  
SHIELDING PLATING: FOR 94910-XXXM: 2.54 $\mu$ m/100u" MIN BRIGHT TIN-LEAD PLATED OVER 0.76 $\mu$ m/30u" MIN NICKEL UNDERPLATING PER BUS-15-002/M.  
LEAD FREE OPTION:  
FOR 94910-XXXNLF: 0.76 $\mu$ m/30u" MIN NICKEL PLATING, WITH SELECTIVE TIN ON SOLDER TAILS, SEE DETAIL E.  
SHIELDING PLATING: FOR 94910-XXXMLF: 2.54 $\mu$ m/100u" MIN BRIGHT PURE TIN PLATED OVER 0.76 $\mu$ m/30u" MIN NICKEL UNDERPLATING PER BUS-15-002/M.
- SPECIALLY FOR ONE-PORT P/N 94910-X01M,-X01MLF & 94910-X01NLF ONLY. SOLDER TAIL OF SHIELD IS 1.02 [0.040] WIDE, DISTANCE FROM PCB PEG TO THE SOLDER TAIL IS 3.05 [0.120].
- SPECIALLY FOR ONE-PORT P/N 94910-X01AM,-X01AMLF & 94910-X01ANLF ONLY. SOLDER TAIL OF SHIELD IS 1.27 [0.050] WIDE, DISTANCE FROM PCB PEG TO THE SOLDER TAIL IS 3.05 [0.120].
- ALL DIMENSIONS IN MILLIMETERS/INCHES.
- CENTER PEG FOR 8-PORTS AND ABOVE, (-XXXM,-XXXMLF PRODUCT ONLY).
- NO CENTER PEG AVAILABLE ON -XXXNLF PRODUCT.
- "LF" SUFFIX AT THE END OF PART NUMBER IS LEAD FREE.
- THE HOUSING WILL WITHSTAND EXPOSURE TO 260°C PEAK TEMPERATURE FOR 15 SECONDS IN A WAVE SOLDER APPLICATION WITH A 1.5mm MINIMUM THICK CIRCUIT BOARD. SEE APPLICATION NOTES/PROCEDURES IF THEY ARE AVAILABLE.
- THIS PRODUCT MEETS EUROPEAN UNION DIRECTIVES AND OTHER COUNTRY REGULATION AS DESCRIBED IN GS-22-008
- PLATING OPTIONS:  
MAY BE EITHER GOLD OR GXT PLATED AT MANUFACTURER'S OPTION.



mat'l. code		tolerances unless otherwise specified		CUSTOMER COPY		FCI	
-		.X±.3/.XX ±.01		www.fciconnect.com			
ltr	ecn no	dr	date	linear	projection	title	
T				.XX±.13/.XXX ±.005		R/A 8 POS GANG JACK ASSY SHIELDED, SNAP PEG	
				.XXX±.051/.XXXX ±.0020		product family	MOD JACK
				angles	MM/INCH	code	-
				dr	KCHOU	3/18/93	
				enr	TC	3/18/93	size
				chr	JTSAO	3/18/93	dwg no
				appd	JTSAO	3/18/93	94910
sheet	revision				scale	1:1	sheet
index	sheet						2 of

Tous droits strictement réservés. Reproduction ou communication à des tiers interdite sous quelque forme que ce soit sans autorisation écrite du propriétaire. Propriété de c. FCI. Droits de reproduction FCI.



All rights strictly reserved. Reproduction or issue to third parties in any form whatever is not permitted without written authority from the proprietor. Property of FCI. Copyright FCI.

PRODUCT No.	No. OF PORTS	DIM A +.60 [0.024] -0	DIM B	DIM C±.10 [0.004]	DIM D±.15 [0.006]	GROUND LEG NO. ON THE BACK (VIEW B)	NOTE
94910-X01M	1	15.74 [0.620]	-----	5.72 [0.225]	11.43 [0.450]	NONE	NOTE 4
94910-X01AM	1	15.74 [0.620]	-----	5.72 [0.225]	11.43 [0.450]	NONE	NOTE 5
94910-X02M	2	30.98 [1.220]	13.97 [0.550]	12.70 [0.500]	25.40 [1.000]	1	
94910-X03M	3	44.95 [1.770]	27.94 [1.100]	19.69 [0.775]	39.37 [1.550]	2	----
94910-X04M	4	58.92 [2.320]	41.91 [1.650]	26.67 [1.050]	53.34 [2.100]	3	----
94910-X05M	5	72.89 [2.870]	55.88 [2.200]	33.66 [1.325]	67.31 [2.650]	2	
94910-X06M	6	86.86 [3.420]	69.85 [2.750]	40.64 [1.600]	81.28 [3.200]	3	----
94910-X07M	7	100.83 [3.970]	83.82 [3.300]	47.63 [1.875]	95.25 [3.750]	2	----
94910-X08M	8	114.80 [4.520]	97.79 [3.850]	54.61 [2.150]	109.22 [4.300]	3	----
94910-X09M	9	128.77 [5.070]	111.76 [4.400]	61.60 [2.425]	123.19 [4.850]	2	
94910-X10M	10	142.74 [5.620]	125.73 [4.950]	68.58 [2.700]	137.16 [5.400]	3	
94910-X11M	11	156.71 [6.170]	139.70 [5.500]	75.57 [2.975]	151.13 [5.950]	2	----
94910-X12M	12	170.68 [6.720]	153.67 [6.050]	82.55 [3.250]	165.10 [6.500]	3	----

OBSOLETE  
OBSOLETE  
OBSOLETE  
OBSOLETE  
OBSOLETE  
OBSOLETE  
OBSOLETE  
OBSOLETE  
OBSOLETE

PLATING CODE X	PLATING (12)
0	.76uM/30u" G.X.T.
1	.38uM/15u" GOLD
3	.76uM/30u" GOLD
5	1.27uM/50u" GOLD

PRODUCT No.	No. OF PORTS	DIM A +.60 [0.024] -0	DIM B	DIM C±.10 [0.004]	DIM D±.15 [0.006]	GROUND LEG NO. ON THE BACK (VIEW B)	NOTE
94910-X01MLF	1	15.74 [0.620]	-----	5.72 [0.225]	11.43 [0.450]	NONE	NOTE 4
94910-X01AMLF	1	15.74 [0.620]	-----	5.72 [0.225]	11.43 [0.450]	NONE	NOTE 5
94910-X02MLF	2	30.98 [1.220]	13.97 [0.550]	12.70 [0.500]	25.40 [1.000]	1	
94910-X03MLF	3	44.95 [1.770]	27.94 [1.100]	19.69 [0.775]	39.37 [1.550]	2	----
94910-X04MLF	4	58.92 [2.320]	41.91 [1.650]	26.67 [1.050]	53.34 [2.100]	3	----
94910-X05MLF	5	72.89 [2.870]	55.88 [2.200]	33.66 [1.325]	67.31 [2.650]	2	
94910-X06MLF	6	86.86 [3.420]	69.85 [2.750]	40.64 [1.600]	81.28 [3.200]	3	----
94910-X07MLF	7	100.83 [3.970]	83.82 [3.300]	47.63 [1.875]	95.25 [3.750]	2	----
94910-X08MLF	8	114.80 [4.520]	97.79 [3.850]	54.61 [2.150]	109.22 [4.300]	3	----
94910-X09MLF	9	128.77 [5.070]	111.76 [4.400]	61.60 [2.425]	123.19 [4.850]	2	
94910-X10MLF	10	142.74 [5.620]	125.73 [4.950]	68.58 [2.700]	137.16 [5.400]	3	
94910-X11MLF	11	156.71 [6.170]	139.70 [5.500]	75.57 [2.975]	151.13 [5.950]	2	----
94910-X12MLF	12	170.68 [6.720]	153.67 [6.050]	82.55 [3.250]	165.10 [6.500]	3	----

OBSOLETE  
OBSOLETE  
OBSOLETE  
OBSOLETE  
OBSOLETE  
OBSOLETE  
OBSOLETE  
OBSOLETE  
OBSOLETE

mat'l. code -				tolerances unless otherwise specified			CUSTOMER COPY	 www.fciconnect.com
ltr	ecn no	dr	date	linear	.X±.3/.XX ±.01	projection 		
T							.XX±.13/.XXX ±.005	 MM/INCH scale 1:1
				angles	.XXX±.051/.XXXX ±.0020	size A 94910 sheet 3 of		
				dr	0° ±2'			
				enr	KCHOU 5/4/94			
				chr	TC 5/4/94			
				appd	JTSAO 5/4/94			
sheet index	revision sheet							

A

B



All rights strictly reserved. Reproduction or issue to third parties in any form whatever is not permitted without written authority from the proprietor. Property of FCI. Copyright FCI.

Tous droits strictement réservés. Reproduction ou communication à des tiers interdite sous quelque forme que ce soit sans autorisation écrite du propriétaire. Propriété de c FCI. Droits de reproduction FCI.

PRODUCT No.	No. OF PORTS	DIM A +.60 [0.024] -0	DIM B	DIM C±.10 [0.004]	DIM D±.15 [0.006]	GROUND LEG NO. ON THE BACK (VIEW B)	NOTE
94910-X01NLF	1	15.74 [0.620]	-----	5.72 [0.225]	11.43 [0.450]	NONE	NOTE 4
94910-X01ANLF	1	15.74 [0.620]	-----	5.72 [0.225]	11.43 [0.450]	NONE	NOTE 5
94910-X02NLF	2	30.98 [1.220]	13.97 [0.550]	12.70 [0.500]	25.40 [1.000]	1	
94910-X03NLF	3	44.95 [1.770]	27.94 [1.100]	19.69 [0.775]	39.37 [1.550]	2	
94910-X03N-ALF	3	44.95 [1.770]	27.94 [1.100]	19.69 [0.775]	39.37 [1.550]	2	
94910-X04NLF	4	58.92 [2.320]	41.91 [1.650]	26.67 [1.050]	53.34 [2.100]	3	
94910-X05NLF	5	72.89 [2.870]	55.88 [2.200]	33.66 [1.325]	67.31 [2.650]	2	
94910-X06NLF	6	86.86 [3.420]	69.85 [2.750]	40.64 [1.600]	81.28 [3.200]	3	
94910-X07NLF	7	100.83 [3.970]	83.82 [3.300]	47.63 [1.875]	95.25 [3.750]	2	
94910-X08NLF	8	114.80 [4.520]	97.79 [3.850]	54.61 [2.150]	109.22 [4.300]	3	
94910-X09NLF	9	128.77 [5.070]	111.76 [4.400]	61.60 [2.425]	123.19 [4.850]	2	
94910-X10NLF	10	142.74 [5.620]	125.73 [4.950]	68.58 [2.700]	137.16 [5.400]	3	
94910-X11NLF	11	156.71 [6.170]	139.70 [5.500]	75.57 [2.975]	151.13 [5.950]	2	
94910-X12NLF	12	170.68 [6.720]	153.67 [6.050]	82.55 [3.250]	165.10 [6.500]	3	

OBSOLETE  
OBSOLETE  
OBSOLETE  
OBSOLETE  
OBSOLETE  
OBSOLETE  
OBSOLETE  
OBSOLETE  
OBSOLETE  
OBSOLETE  
OBSOLETE  
OBSOLETE

PLATING CODE X	PLATING (12)
0	.76uM/30u" G.X.T.
1	.38uM/15u" GOLD
3	.76uM/30u" GOLD
5	1.27uM/50u" GOLD

A

A

B

B

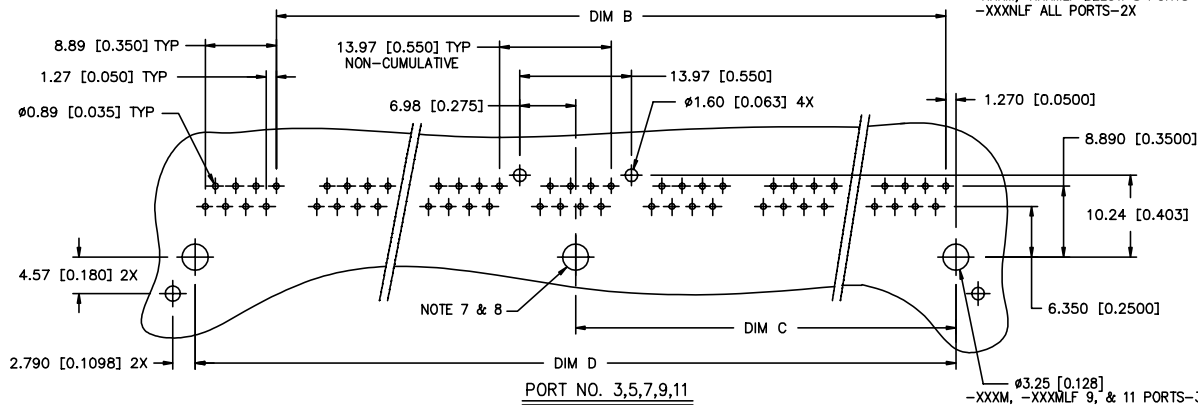
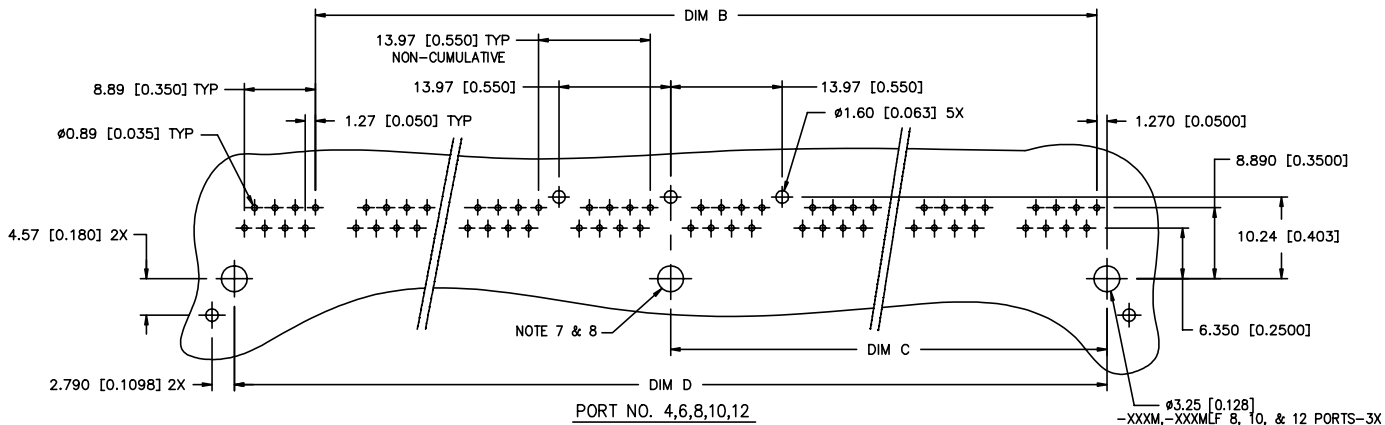
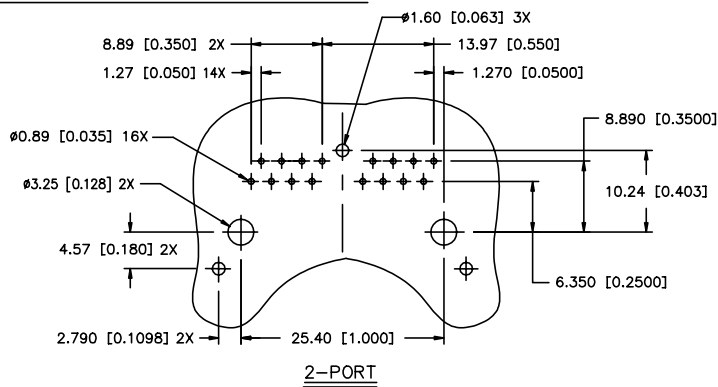
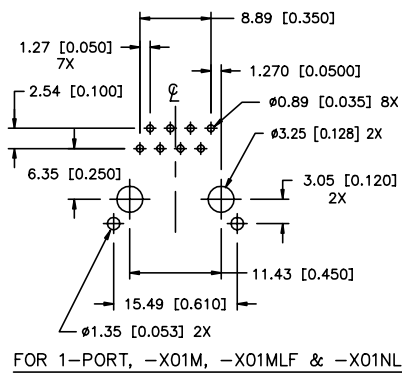
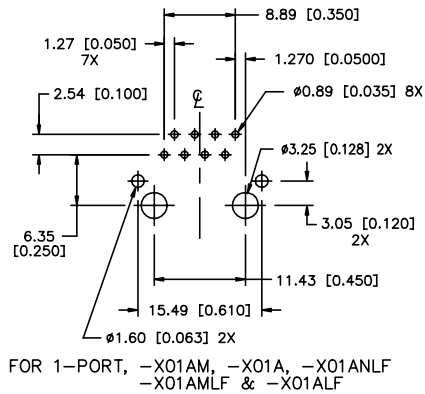
mat'l. code				tolerances unless otherwise specified		CUSTOMER COPY	 www.fciconnect.com
ltr	ecn no	dr	date	linear	.X±.3/.XX ±.01		
T					.XX±.13/.XXX ±.005	 MM/INCH	product family MOD JACK code - size dwg no - sheet 4 of
				angles	.XXX±.051/.XXXX ±.0020		
				dr	0° ±2°		
				enr	KCHOU 5/4/94		
				chr	TC 5/4/94		
				appd	JTSAO 5/4/94		
sheet index	revision sheet						

PRODUCT NO.  
SEE TABLE

Tous droits strictement reserves. Reproduction ou communication a des tiers interdite sous quelque forme que ce soit sans autorisation ecrite du proprietaire. Propriete de c FCI. Droits de reproduction FCI.



All rights strictly reserved. Reproduction or issue to third parties in any form whatever is not permitted without written authority from the proprietor. Property of FCI. Copyright FCI.



RECOMMENDED P.C.B LAYOUT

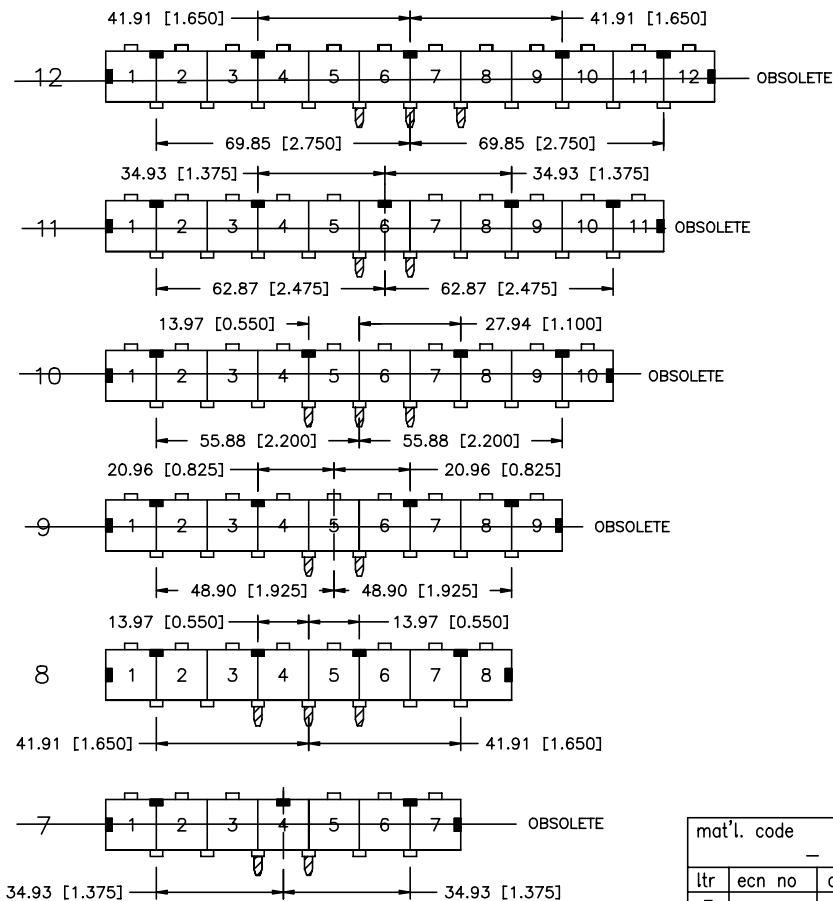
mat'l. code				tolerances unless otherwise specified		CUSTOMER COPY		FCI	
-				.X±.3/.XX ±.01		www.fciconnect.com			
ltr	ecn no	dr	date	linear	.XX±.13/.XXX ±.005		projection	title	
T					.XXX±.051/.XXXX ±.0020			R/A 8 POS GANG JACK ASSY SHIELDED, SNAP PEG	
				angles	0° ±2°		MM/INCH	product family MOD JACK	
				dr	KCHOU	5/4/94		code	
				engr	TC	5/4/94	size		
				chr	JTSAO	5/4/94	94910		
				appd	JTSAO	5/4/94	sheet 5 of		
sheet index	revision sheet								

# LATCHING AND GROUNDING TAB LOCATING CONFIGURATION

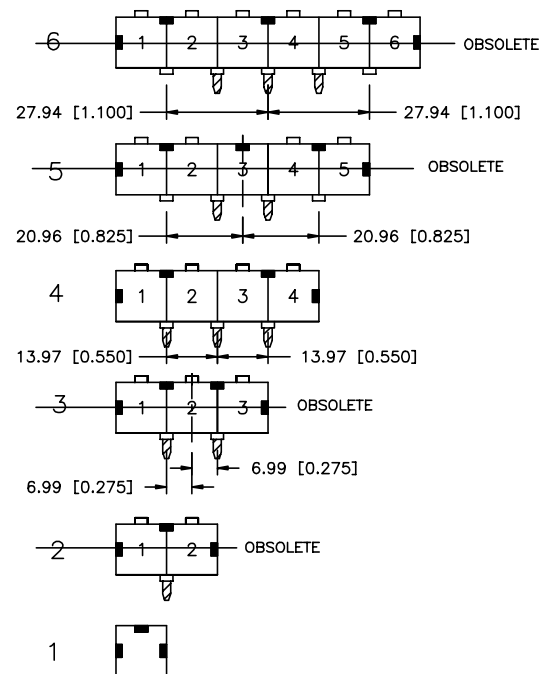
- INDICATES LATCHING TAB (SEE SHEET 1 )
- INDICATES GROUNDING TAB ON THE FRONT OF PRODUCT (SEE SHEET 1 )
- ▨ INDICATES GROUNDING LEG ON THE BACK OF PRODUCT (VIEW B)

OBSOLETE

## PORT NUMBERS



## PORT NUMBERS



All rights strictly reserved. Reproduction or issue to third parties in any form whatever is not permitted without written authority from the proprietor. Property of FCI. Copyright FCI.

Tous droits strictement réservés. Reproduction ou communication à des tiers interdite sous quelque forme que ce soit sans autorisation écrite du propriétaire. Propriété de c FCI. Droits de reproduction FCI.

mat'l. code				tolerances unless otherwise specified		CUSTOMER COPY		FCI www.fciconnect.com	
ltr	ecn no	dr	date	linear	.x±.3/.xx ±.01	projection ⊕	title		
T					.xx±.13/.xxx ±.005		R/A 8 POS GANG JACK ASSY SHIELDED, SNAP PEG		
					.xxx±.051/.xxxx ±.0020		product family MOD JACK		
				angles	0° ±2°	MM/INCH	size		code
				dr	KCHOU 5/4/94	scale 1:1	A		94910
				enr	TC 5/4/94		sheet		-
				chr	JTSAO 5/4/94		6 of		
				appd	JTSAO 5/4/94				
sheet index	revision sheet								

PDM: Rev: T

STATUS Released cage code 26 Printed: Oct 30, 2008

B